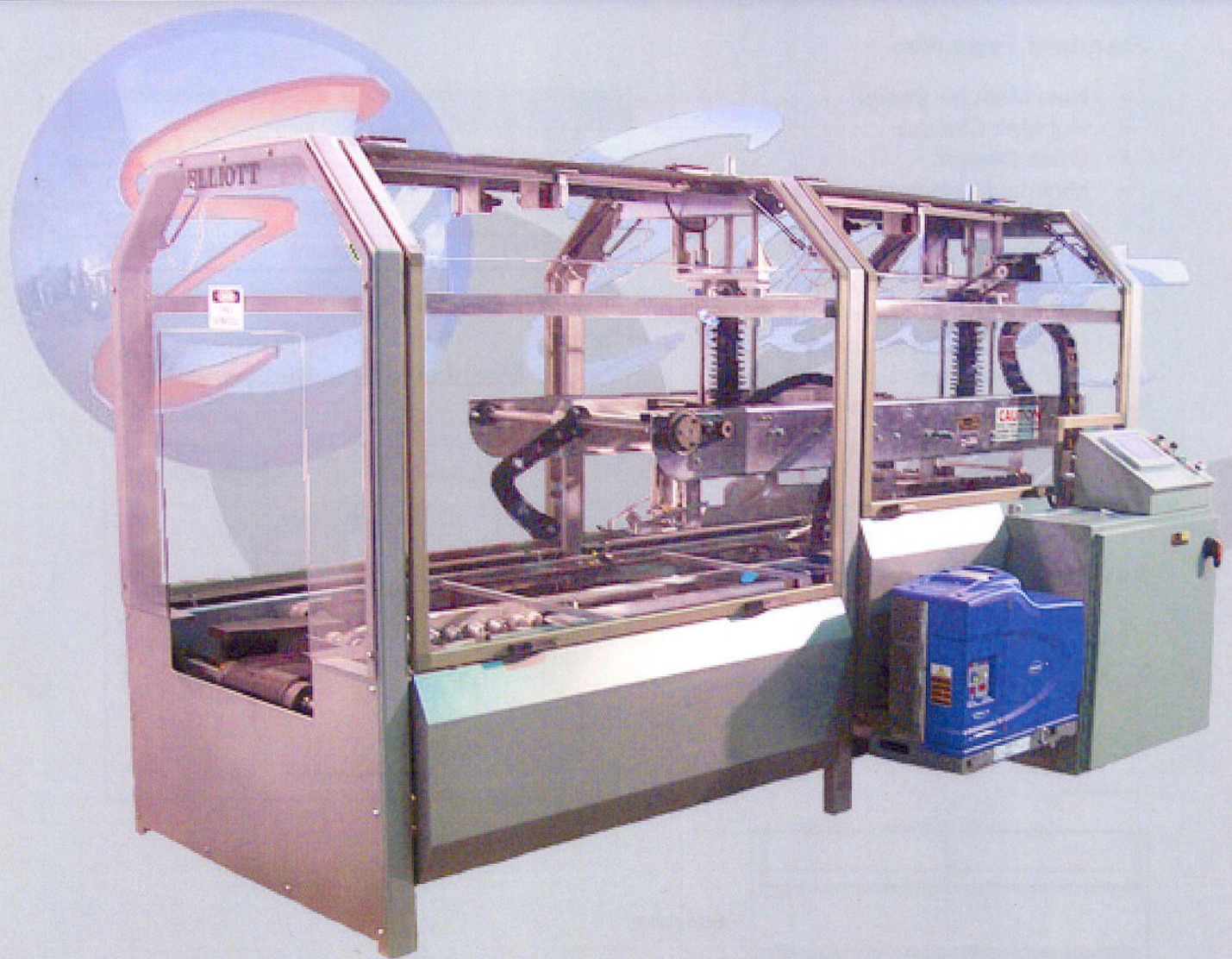


# SV 850 AUTOMATIC CASE SEALER



*Elliott's High Speed SV 850 Automatic Top & Bottom Case Sealer designed for the hot melt sealing of a wide range of case sizes in a limited space. Great care was taken in the design of this new addition to the Elliott family that it maintained the durability and reliability of the time proven sealers expected from Elliott Manufacturing. Automatic changeover can be added to this model allowing a size change without tools from the smallest to the largest case in less than thirty (30) seconds. The heavy duty construction, designed for 24/7 production, and with speeds up to 3600 cases per hour, the SV 850 will be a success in any production environment.*



*Elliott*  
MANUFACTURING

# SV 850

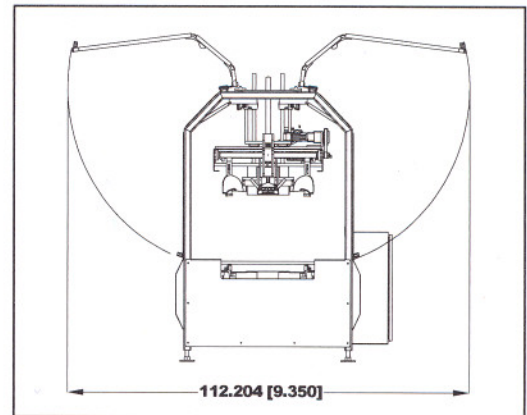
## High Speed Case Sealer

### Standard Features:

- New Modular Design
- Hot Melt Closure
- Open Design
- Minimal Maintenance Required
- Light Weight Durable Frame
- Full Perimeter Interlocked Guards
- PLC Control with Ethernet
- Category 3 electrical safety System
- Heavy Duty Construction
- 24/7 Operation
- Variable Speed up to 60 cpm

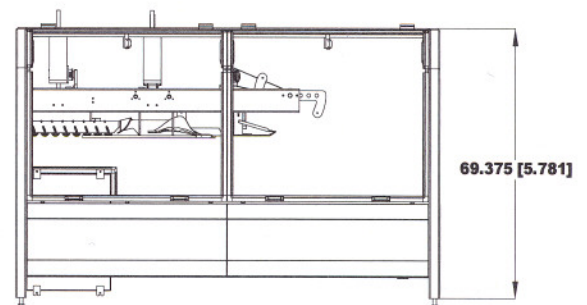
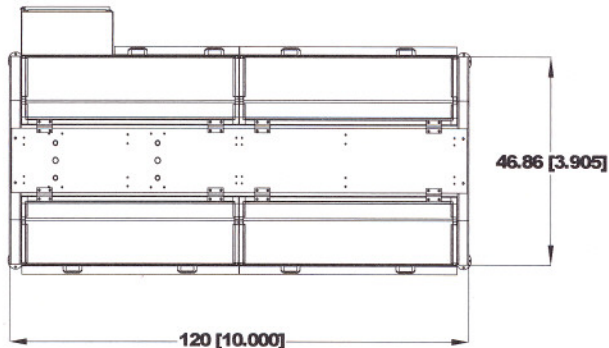
SV 850 Standard Case Size Range		
SET UP:	MINIMUM:	MAXIMUM:
LENGTH	6" (15.24cm)	20" (50.8cm)
WIDTH	6" (15.24cm)	20" (50.8cm)
DEPTH	6" (15.24cm)	16" (40.6cm)

### Machinery Specifications:



### Available Options:

- Automatic Changeover
- Servo Driven Motion Control



HOT MELT CASE SEALER  
SV 850 AUTOMATIC TOP & BOTTOM

2664 S. Cherry, Fresno CA 93706 P.O. Box 11277, Fresno, CA 93772 T 559 233-6235 F 559 233-9833

[elliottmfg@elliott-mfg.com](mailto:elliottmfg@elliott-mfg.com) [www.elliott-mfg.com](http://www.elliott-mfg.com)